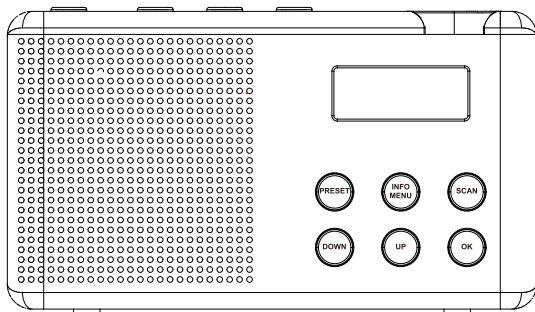




DAB+/DAB/FM Radio

DK-23

User Manual

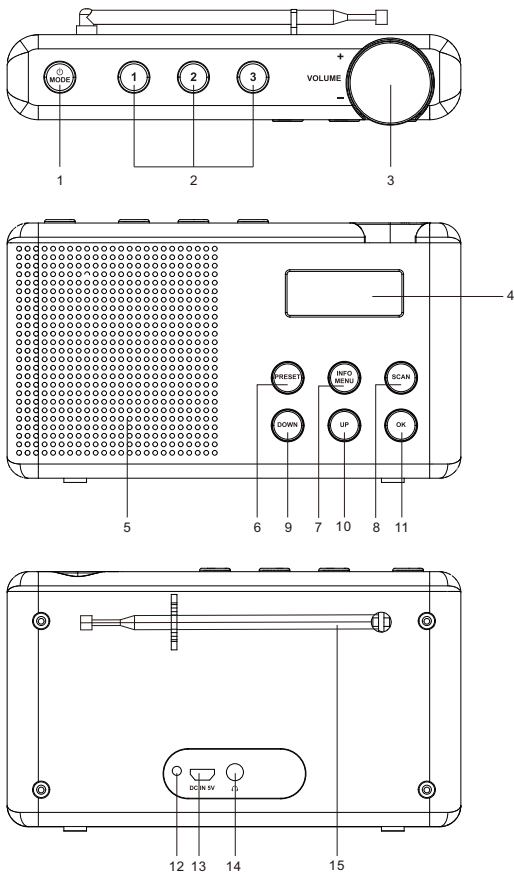


Please read this user manual carefully before using the receiver.

Contents

Location of Controls	1
Precautions	3
Getting started	4
Changing radio mode	5
DAB station scan	5
Tuning DAB station	5
FM scan	6
Preset a station	6
Recall a station preset	7
Volume control	7
Info	8
System	9
Q & A	11
Technical Specification	12

Location of Controls



Location of Controls

1. **⊕ / MODE**

[⊕]

Long press to power on and off.

[MODE]

When the radio is power on, short pressing the button to switch between DAB and FM radio

2. **Preset button 1-3**

Press and hold the button 1-3 to quick saving the favourite channel, hit the same button to recall the channel

3. **VOLUME**

Rotate the knob to increase or reduce the volume level.

4. **Display**

5. **Speaker**

6. **PRESET**

Long press the button to enter the preset list

Short press the button to recall the preset list

7. **INFO MENU**

[INFO]

Press the button repeatedly to view various info broadcasted by the radio station.

[MENU]

Long pressing the button to enter the system setting.

8. **SCAN**

Short press the button to scan.

9. **DOWN**

Skip to previous station/manual scan downwards.

10. **UP**

Skip to next station/manual scan upwards.

11. **OK**

Press to confirm selection

12. **LED indicator for battery charging**

13. **USB port for charging built-in battery**

14. **Earphone socket**

15. **Antenna**

Precautions

- The radio should not be used in a high temperature or high humidity environment over prolonged periods of time as this may damage the unit.
- Keep the radio away from liquids as it may get damaged. Please switch off the radio immediately if water or liquids is spilled into the radio. Consult with the shop you bought this radio for any question.
- Avoid using or storing the unit in dusty or sandy environment.
- Do not open and repair the radio by yourself.
- Use only the specified power input voltage to charge the battery. Connecting a power supply with a different rating will cause permanent damage to the radio and may be hazardous.
- Clean only with dry cloth

WARNING: TO PREVENT FIRE OR ELECTRIC SHOCK HAZARD, DO NOT EXPOSE THIS PRODUCT TO RAIN OR MOISTURE.

CAUTION

**RISK OF ELECTRIC SHOCK
DO NOT OPEN**

CAUTION: TO REDUCE THE RISK OF ELECTRIC SHOCK, DO NOT REMOVE THE RADIO BACK, NO USER SERVICEABLE PARTS INSIDE. REFER SERVICING TO QUALIFIED SERVICE PERSONNEL.



THE LIGHTNING FLASH AND ARROWHEAD WITHIN THE TRIANGLE IS A WARNING SIGN ALERTING YOU OF "DANGEROUS VOLTAGE" INSIDE THE RADIO.



THE EXCLAMATION POINT WITHIN THE TRIANGLE IS A WARNING SIGN ALERTING YOU OF IMPORTANT INSTRUCTIONS ACCOMPANYING THIS RADIO.

The radio is powered by the built-in lithium battery. A USB cable is supplied in the product package.

Hold and press the [**⊕ /Mode**] button to power on.

To power off the radio, long pressing the same button.

Charging battery

You can check the level of battery power remains on the radio.

When the radio is playing, press the [**Info/Menu**] button repeatedly until you see the battery indicator showing as e.g. BAT:50%.

When battery power is low, it will prompt with message "Low Battery!" to remind for battery charging.

To charge the battery, connect the micro USB plug to the port at the rear side of the radio, connect the other end to a power source supplied with 5V OUT. The LED will light up in red indicates the battery is charging.

If the radio is in OFF mode while charging, the LED will turn to green when charging is done.

Changing radio mode

When the radio is power up, press the [**⊕ /Mode**] button to select between DAB and FM mode.

DAB station scan

If this is the first time the radio is power up, it will scan the DAB radio stations automatically. It will display and play the first station after the scan is done.

In case it displays “No DAB Service”, short press the [**Scan**] button to start scanning.

Tuning DAB station

Press the [**UP**] or [**DOWN**] button to choose other radio channels. Then press [**OK**] button to confirm to start play automatically.

FM scan

Select the FM mode, short press the **[SCAN]** button to initiate the auto scan. The radio will store the preset automatically when the scan is done.

To manual scan, use the **[UP]** or **[DOWN]** button button and it will fine tune the frequency in a step of 0.05MHz.

Preset a station

Your radio can store up to 20 DAB stations and 20 FM stations in its preset memories for instant access to your favorite stations.

1. Tune your radio to the station that you wish to preset.
2. Press and hold **[Preset]** button on the radio, it will enter the "Preset Store" list. Select the preset number you want to save by using the **[UP]** or **[DOWN]** button, press the **[OK]** knob to confirm. It will show the preset number is saved.
3. There are 3 preset buttons on the radio. It allows to save and recall quickly a dedicated channel. Press and hold the button to store the channel.
4. You can replace the existing preset with other channel by doing the same preset procedure as described above.

Recall preset/Volume

Recall a station preset

Briefly press the [**Preset**] button on the unit, the preset list will pop up. Press the [**UP**] or [**DOWN**] button to find the station you want to listen, then press [**OK**] button to recall the station.

If you have preset the favourite channels for Preset button 1-3, simply press these buttons to access them quickly.

Note

1. If there is already an existing DAB or FM station stored under a preset, it will be overwritten when you save a new station.

2. The DAB presets will not overwrite the FM station presets.

Volume control

Rotate Volume [**- / +**] knob to adjust the volume.

When the radio station is playing, press the **[Info/Menu]** button repeatedly to cycle through the information broadcasted by the radio as follow:

Under DAB

- DLS (Dynamic Label Segmenting): Radio text broadcasted from the DAB station such as the news, songs being played...etc.
- PTY (Programme Type): shows which type of programme you are listening to, "Music", "Talk", "News" etc. If there is no information, it will display "Programme Type".
- Channel/Frequency – The frequency of DAB is displayed such as "11C 220.352MHz".
- Audio info: The display shows the digital audio bit rate of the current reception.
- BAT: shows the percentage of remaining battery power
- Signal error: The signal strength is displayed graphically.
- Time/Date – The time and date are set automatically.

Under FM

- RT (Radio text): Text broadcasted from the FM station
- PTY(Programme Type): shows which type of programme you are listening to, "Music", "Talk", "News" etc. If there is no information, it will display "No PTY".
- Signal error: The signal strength is displayed graphically.
- Time/Date – The time and date are set automatically.
- Frequency – the FM frequency for the radio station in playing.
- Auto / Stereo: The radio is a mono and only mono will be received, including earphone.
- BAT: Shows the percentage of remaining battery power.

Note: The time and date accuracy depends on the info broadcasted from the radio station.

System

Time

There are 4 settings:

1. Set Time/Date: This allows the user to manually set the current Time and Date.
2. Auto Update: This function will set the radio's time and date automatically with data sent along with the broadcast of either the FM or DAB radio station. You can choose "No Update" then the radio will not receive the time data.
3. Set 12/24 hour: This option will change the format of your clock to either 12 hour or 24 hour format.
4. Set date Format: This option will change the format of the date to DD/MM/YYYY or MM/DD/YYYY.

Note:

The FM auto Time/Date update may not work in your area, so the DAB auto update option is recommended.

Sleep

The sleep timer switches the radio off automatically after an adjustable time.

Long press the **[Info/Menu]** button will enter the <System> setting then press the **[OK]** button will enter the <Sleep> setting with options 15/30/45/60/90/OFF. Press the **[Down/Up]** to choose the timer then press **[OK]** to confirm. If 15 minutes is set, The radio will switch off automatically when 15 minutes is due.

To cancel the sleep timer, select OFF from the timer option and press **[OK]** to confirm.

Language

There are 4 languages available for the menu, English, French, German, Italian.

Software Version

Press to see the firmware version.

Factory reset

To reset the radio to default, press and hold the **[Info/Menu]** button to enter <System>, select <Factory Reset> and press OK, choose Yes to confirm for a reset. The radio will reboot and scan the DAB station accordingly.

If you are experiencing problems with your DAB radio there are some quick and easy checks that you can do, which may help to solve the problem.

No DAB reception

- If it displays “no DAB service”, please carry out “Factory Reset” on the radio and fully extend the antenna to get the reception.
- Move the radio close to the window.

Radio reception is poor

- Adjust the antenna to optimize the best reception level. Move the antenna around with different directions to get the best signal.
- Check that you do not have other electrical equipment too close to your radio or close to any sources of interference such as microwaves, fluorescent lights, etc which causing interference.

No sound

- Check if the volume is mute. Adjust the volume level.
- Check that the radio is power on.
- Try changing to another radio station.

The radio does not turn on

- The battery is flat. Please charge the battery and make sure the cable is well connected and the Red LED comes on when charging.

Technical Specification

Model	DK-23
DAB frequency range	174.928MHz (5A) - 239.200MHz (13F) support DAB and DAB+
FM frequency range	87.5-108MHz
Power input	5V \equiv 1A
Battery power	Lithium battery 1200mAH
Audio socket	3.5mm earphone jack
Unit Dimension	160 x 30 x 90 mm (L x D x H)

Remark: Specification may vary without notice

What is included in the box

- * DAB Radio
- * USB charging cable
- * User manual

WEEE and Recycling



The European laws do not allow any more the disposal of old or defective electric or electronic devices with the household waste. Return your product to a municipal collection point for recycling to dispose of it. This system is financed by the industry and the ensures environmentally responsible disposal and the recycling of valuable raw materials.

Ocean Digital Technology Ltd
Flat B, 12/F., Yeung Yiu Chung (No. 8) Ind. Bldg.,
20 Wang Hoi Road, Kowloon Bay,
Hong Kong
Email: support@oceandigital.com.hk