



Internet Radio

WR-100F

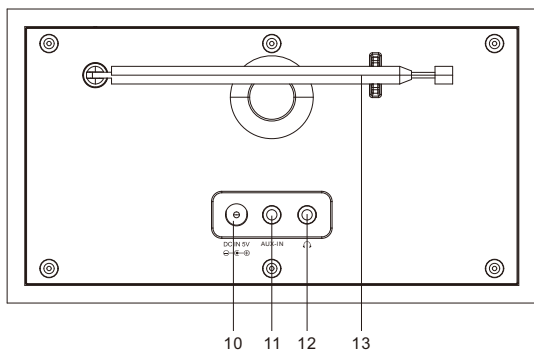
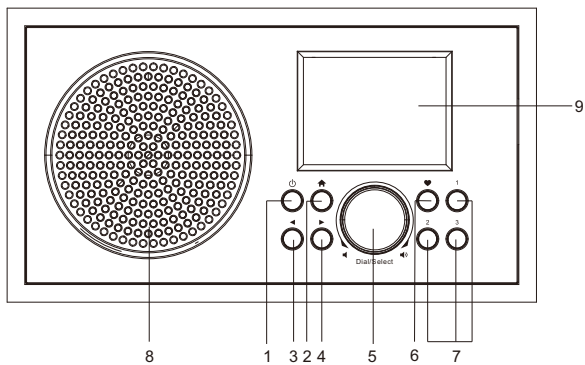
User Manual



Please read this user manual carefully before using the receiver.

Location of Controls	1
Switching the radio on	3
Connecting to your WiFi Network	4
Internet Radio	6
Media Center	9
FM Radio	11
Information Center	12
Aux In	13
Bluetooth	13
Configuration	14
Trouble Shooting	22
Technical Specification	26
What is included in the box	27

Location of Controls



Location of Controls

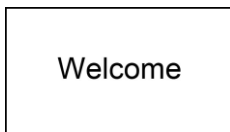
1. Standby button
2. Home button
3. Left/Back button
4. Right button
5. Volume / Dial / Select rotary knob
(Rotate to adjust the volume or browse the menu. Push down the button to confirm selection)
6. Favourite button
(Press and hold to enter "Add to Favourite", press and release to recall the favourite list)
7. 1-3 Presets buttons
(Press and hold to store preset, press to recall the preset stations 1-3)
8. Speaker
9. Color screen 2.4"
10. DC IN Jack
11. 3.5 mm Aux-In jack
12. 3.5 mm earphone jack
13. Telescopic antenna

Switching the radio on

Connect the mains adaptor to the radio unit, one end to the DC IN on the radio and the other end to the AC mains wall socket.

Caution: Use only the mains adaptor supplied with the radio. Connecting a power supply with a different rating will cause permanent damage to the radio and may be hazardous.

The radio will power up and display Welcome:



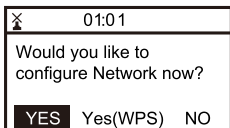
Select the language for the radio menu:



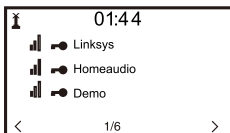
It will ask to set the **<Check Network when Power on>**, it is suggested to choose **<Yes>**. The radio will always check the available WiFi network automatically.

Connecting to your WiFi Network

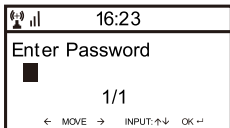
Followed by the steps above, it will come to the network configuration setting. Choose **<Yes>** to start searching the available WiFi network. If your router has the WPS function, you can select **<Yes(WPS)>** to proceed.



After the search is done, it will display a list of the available wifi network.



Choose your network from the list, enter the password if the network is set with encryption code. If your network does not require any password to access, the wifi will be connected automatically.



Note: The encryption code would have been set up by the person who set up and configured your network.

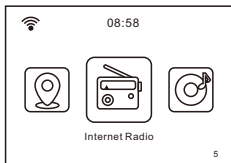
Follow the steps below to enter the password of your wifi network:

Connecting to your WiFi Network

- Rotate the **[Dial/Select]** knob to browse the character
- Press the **[▶]** button to skip to the next entry
- When it is done, push the **[Dial/Select]** rotary knob to confirm.

The radio will start connecting to the network.

When the wifi is connected successfully, it will pop to the main menu and you are ready to access the worldwide internet stations.



Choose **<Internet Radio>** from the menu, you can see several listed options.

To start listening the radio stations worldwide, select **<Radio Station / Music>**. You can find your favourite station by Genre or Location.

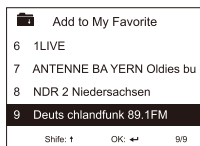
My Favorite


This is to show the list of your Favorite stations which have been added to the list.

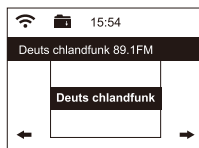
To preset a station:

When your favourite station is playing and you want to add it to favourite list, press and hold the **[Preset]** button and **<Add to My Favorite>** menu will display. The preset number will be assigned automatically to the next available number. Push the **[Dial/Select]** knob to confirm. The playing station will be added to the preset list.

Push **[Dial/Select]** dial to confirm



The symbol  on the top row means station is added to favourite list



The presets will be stored in ascending order. You can store up to 250 presets.

Note: Preset 1 to 5 are reserved for your own choice of the dedicated radio channels. The preset will be intended to store from no. 6 onwards, you can scroll to choose no. 1-5 at your preference.

Internet Radio

For FM, you can store up to 99 presets

You can edit your favorite list anytime with the options below:

Delete - To delete the selected station

Shift up - To shift the selected station by one level up on the ranking

Shift down - To shift the selected station by one level down on the ranking

Rename - To rename the selected station

Play - press and play the selected station

Navigate to **<My Favourite>** on the menu or press the [♥] button, choose the radio station that you want to make the above changes. Then press the [▶] button to enter the edit menu.



To recall a preset station:

Press the [♥] button briefly and choose your desired station.

Local Radio

Select this option to access quickly the radio station located in your country.

Sleep Radio

Use this option to choose the sleeping sound for better sleep, there are various kinds of sound for your selection.

History

The radio will memorize the last 10 listened stations.

Service

Search Stations

You can find your desire radio station by inputting the name of the radio or just a few characters to filter the list.

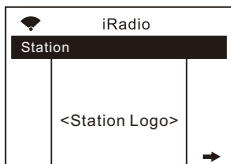
Add New Radio Station

If you want to add the station and you have the audio stream URL, it is suggested to add it through the MediaYou website as follow, or you can contact MediaYou if the station cannot be located.

<http://www.mediayou.net/>

Please refer to the “Manage My mediaU” under Configuration section below for more details.

When a radio station is playing, press the [▶] button and it will display the station logo (if any). Continue to press the [▶] button to view the radio information.



APP

Scan the QR code to visit the mediaU website to sign up an account.

Media Center

UPnP (Universal Plug and Play)

The device supports UPnP and is DLNA-compatible. This provides the opportunity to stream music from your other network devices. However, this requires you to have a compatible device in your network that can function as a server. This can be e.g., a network hard drive or a conventional PC with e.g., Windows 8 via which access to the shared folder or media sharing is permitted. The folders can then be browsed and played on the Tuner.



Please make sure your computer laptop is on the same Wi-Fi network as the Radio before you start using this function.

DLNA

The Internet radio can play music stream from DLNA compatible device, provided that the Internet radio and other DLNA devices are under the same Wi-Fi network.

The radio will be discovered as “AirMusic” when you try to search it on other devices. If you want to change other name from AirMusic, go to Configuration and DLNA setup to make the change.

Music streaming

1. Once the UPnP/DLNA compatible server is configure to share media files with your radio, you can start music streaming.
2. On the main menu, select **[Media Centre]** and choose **[UPnP]**.
3. It may take a few seconds for the radio to complete the scan for available UPnP servers. If no UPnP servers are found, it will show **[Empty List]**.

4. After a successful scan is done, select your UPnP server.
5. The radio will show the media categories available from the UPnP server, e.g. 'Music', 'Playlists' etc.
6. Choose the media files that you wish to play.
You can set the mode of playback under **Configuration>Playback setup**.

My Playlist

You can make your own playlist from the UPnP music files. Choose and highlight the song you want to add to playlist, press and hold the **[Dial/Select]** knob, until the sign appears. The song will be added to **My playlist**.

Clear My Playlist

Remove all songs in **My playlist** to allow a new playlist to be prepared.

Note - If you have DLNA compatible servers available, follow the steps described above to browse the audio files from DLNA compatible device on the radio to play.

FM Radio

To receive the ordinary FM stations(No internet connection is required), place the radio close to the window and extend the antenna as far as it can go to get the best reception. You may need to adjust the direction of the antenna to improve reception.

On the main menu, scroll to FM radio.

Auto Scan

Press and release the **[Dial/Select]** knob, it will ask if you want to "Auto Scan", choose yes to confirm and it will start auto scanning the local FM radio stations that can be received and stored as presets automatically. To change listening a preset, press and release the **[♥]** button, rotate the **[Dial/Select]** knob to select the preset and press **[Dial/Select]** knob to recall the desired station.

Manual Scan

To seek a FM station manually, press and hold the **[◀]** or **[▶]** button, the radio will seek the previous or next available station. If you want to fine tune the frequency, press the **[◀]** or **[▶]** to tune by 0.05Mhz.

Note: You may need to move the telescopic antenna into different direction or adjust the length to find the best reception level.

On the main menu, navigate to **<Information Center>** and select to enter. You will find the options as follow:

Weather Information

The radio supports weather display in standby mode.

Navigate to **Information Center> Weather Information**, choose the region you want it to display the weather information. After region is selected, continue pressing OK (push the **[Dial/Select]** rotary knob) until it shows **<Add to Standby Display>**, push the **[Dial/Select]** rotary knob to confirm.

The date/time and weather info will appear alternatively every 10 seconds under the standby mode.

When the weather screen is shown, press **[▶]** button to see the current weather information.

Press the **[▶]** button again will show the forecast for the next 4 days.

Continue to press the **[▶]** button will display the detailed weather information for each of the next 4 days. To view more details for a particular day, rotate the **[Dial/Select]** rotary knob to scroll down for more information.

Note: Weather information may vary and not sync to the actual weather depends on the network situation.

System Information

You can view the information of the radio such as the software version / Wireless Mac / IP address..etc.

Aux In

You can enjoy the music from other audio devices by connecting the audio cable to the AUX IN connector at the rear of the unit, such as smart phone, MP3 player, etc.

Bluetooth

1. The radio can receive and play music streamed by other Bluetooth device.
Choose Bluetooth mode on the radio, it will be discoverable on other Bluetooth devices.
2. Turn on Bluetooth on your device and look up the device named "**WR-100F**" from the list. Select it to start pairing.
3. If the connection is successful, it will show "**Connected**" on your Bluetooth device list.
4. You can start playing music from your Bluetooth device now.

Time Display

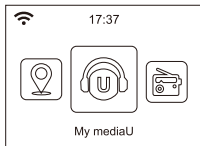
You can choose the time display as analog or digital form.

Manage my mediaU

You can personalize your own favorite station list through MediaYou website.

Set **<Enable>** on this option. It will prompt you to sign up on www.mediayou.net before the function can be used.

On the main menu, you will find the **<My mediaU>** icon appears after Enable is set.



Follow the steps below to sign up MediaYou:

- 1) Visit <http://www.mediayou.net/>
- 2) Then you have to find out the Mac Address of the radio for registration.
To locate the MAC address, please follow the path below:
 - 2a) Go to Main Menu and select **<Information Center>**
 - 2b) Go to **<System Information>**
 - 2c) Choose **<Wireless Info>** and you will find your Mac address.
- 3) Log-in Media You, click **Radio**, then input the Radio name and Serial number (i.e. MAC Address) and save it.

Configuration

You can then organize your own favorite stations or add any new station which is not found on the station list. Once the changes are done, your radio will synchronize the changes immediately and you will find your favorite list under **<My MediaU>** on the radio menu.

Note: If you are going to add URL which is not on MediaU database, ensure the URL is an audio streaming URL or contact MediaU to add it for you.

Network

Wireless Network Configuration

Press **<Enter>** to scan for wireless network list.

Wireless Network (WPS PBC)

The WPS allows to connect the radio with your router by pressing one key on the radio and a WPS key on your router for wifi connection, provided that your router has the WPS function.

Manual Configuration

You can set the DHCP on or off, and enter the SSID name, or delete the connected SSID.

Check network when power on

This is set to enable or disable **<Check network when power on>**.

Date & Time

The time is set automatically to your local area. You can choose to manual set the time if you want.

Time Format setting

Time format setting: 12hours / 24hours

Date Format setting

Date format: YYYY/MM/DD, DD/MM/YYYY and MM/DD/YYYY

If manual setup is selected, you will see an added item **Daylight Saving Time (DST)** setting appeared on the list.

Alarm

Dual alarm clock

There are 2 alarm clocks available and settings as follow:

Schedule the alarm: You can schedule the alarm repeated for every day, particular day in the week or just once.

Alarm sound: Wake to Radio (the radio must be one of the favourite stations), Wake to Melody or Wake to Beeping sound.

Alarm Volume: adjust your desire volume level.

NAP Alarm

If you would like to take a nap or need an alarm to due in short time, you can use this function.

You can select the time from 5 minutes up to 120 minutes. No Snooze function available for the NAP alarm.

Remark: The NAP Alarm will only release beeping sound.

Snooze

When the Alarm sounds, press any keys on the radio unit (except **Power**) will activate the **<Snooze>**. The alarm will come on again 5 minutes later. You can always press **[Power]** button to cancel the alarm.

Configuration

Remark: In case there is network issue renders the wake to radio not working, it will automatically issue melody sound after 1 minute.

Timer

Press [◀] or [▶] button to set the timer, then press [Dial/Select] knob to confirm. When the time is due, it will release some beeping sound. Press the [Dial/Select] to cancel. Press and hold the [Dial/Select] can cancel the timer setting.

Language

There are 17 Languages available, such as English, German, French, Norwegian, Italiano, Svenska, Dansk and more.

Dimmer

You can adjust the backlight of the LCD with below settings:

Power Saving

You can set the backlight to dim down when there is no operation in a certain time of period.

Turn on

You can adjust the backlight level for the operation mode, i.e. when you are operating the radio or checking on the menu.

Display

You can choose the display in color or monochrome style.

Power Management

This function is to allow the radio to go Standby if there is no internet signal received in certain time to save power. The default setting is 15 minutes. When the radio does not receive any internet signal, the radio will go into Standby after 15 minutes. Other time frame in 5 minutes and 30 minutes are available.

Sleep Timer

You can set the timer to turn the radio in standby after certain time elapsed, from 15 minutes to 180 minutes in the step of every 15 minute.

Internet Radio

You can set the Buffer and sound quality under this setting.

- Buffer

Sometimes you may experience uneven playback of the internet radio. This can happen if the internet connection is slow or network congestion occurs. To help improving the situation, you can choose longer buffer time to get a few seconds of radio stream before beginning to play. The default value is 2 seconds. You can choose 4 or 8 seconds if you prefer to have a longer buffering time.

- Sound Quality

You can choose high or Low, the default setting is High.

Weather

The radio will display weather information in standby by default. You can select the regions and temperature unit. You can turn it off by selecting "**Show on Standby > Off**".

Configuration

FM Setup

-FM Mode

Option to choose hearing in Stereo or mono.

Note: As the radio has one speaker, the stereo applies only on earphone listening.

-FM Threshold

Option to adjust the scanning threshold to pick up stronger or weaker stations. There are two types of threshold, Seek Threshold and Stereo Threshold. A stereo separation adjustment is provided in the FM receiver for lowering the separation level of the left and right signals and approaching the mono reception to reduce the noise when the received signal strength of the FM signal is weak, When the signal strength is strong, the separation level is increased to automatically receive stereo reception. If the “Strong” option is selected, only the radio stations with good separate level will be received (in stereo). On the contrary, if “Weak” option is selected, radio stations with low separation level will be received (in mono).

Local Radio Setup

The radio will detect the stations in your country automatically. Choose **<Local>** on the radio and it will display the station list of your country.

You can also change to set the State and City of your country as Local Radio. Choose “Manual Setup” to do the setting.

Playback Setup

This is to set the preference of UPnP playback. You can set the playback as Off, Repeat one, Repeat all(default), Shuffle.

Device

-Rename

This is to set the name of your radio when it becomes a media render. The name by default is AirMusic. Choose "Rename" to make the change.

-AirMusic Control App

Using your smart phone / tablet to control the radio by installing the App "AirMusic Control".

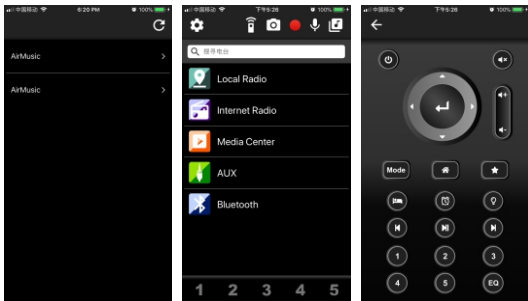
It is available on Android Play store and iOS App Store. It's free of charge.

Both the radio and the device with the remote app installed must be on the same wifi network to work.

Search the App with the name "AirMusic Control" 

You can also locate it by scanning the QR code below:

Android:



iOS:



Configuration

Equsliser

Select your prefer equalizer to suit your listening preference.

Resume When Power On

The radio will resume playing the last listened station when you power it on next time if ON is selected in this option. The ON is set by default.

Software update

Upgrade information will pop up on the display when there is update version available.

This option is being used by service centre.

Reset to default

You can do this factory reset to empty all of the settings and it comes back to default settings.

*****Please note all the Station presets, Settings and configuration will be lost after you have performed the "Factory Reset".***

1. If you have trouble connecting the radio to your wireless network, these steps may help to resolve the problem:

- Confirm that a Wi-Fi or Ethernet Wired connected PC can access the internet (i.e. can browse the web) using the same network.
- Check that a DHCP server is available, or that you have configured a static IP address on the radio.
- Check that your firewall is not blocking any outgoing ports.
- Some access points may be set so that only equipment with registered MAC addresses can connect to them. This is one possible cause of the Internet Radio being unable to connect to the Wi-Fi network, and the Internet Radio display will show Bad ESSID or key. To overcome this problem you will need to add the Internet Radio's MAC address to the list of allowed equipment in your access point. The Internet Radio's MAC address can be found using the menu Information Center > System Information > Wireless Info > MAC address. You will need to refer to the guide for your Access Point in order to enter the Internet Radio as an allowed piece of equipment.
- If you have an encrypted network, check that you have entered the correct key or passphrase into the radio. Remember that text-format keys are case sensitive.
- If your wireless network name (SSID) is 'Hidden' (a setting on the wireless access point), then you can either turn on the name, or you can manually enter the name into the internet radio and media player, Select <Configure -> Network -> Manual Configuration-> Wireless -> Enter SSID>. Confirm if the Network is encrypted, e.g. requires a WEP or WPA key, then enter the network name.

Trouble Shooting

2. If your radio can connect to the network successfully, but is unable to play particular stations, it may be due to one of the following reasons:

- The station is not broadcasting at this time of the day (remember it may be located in a different time zone).
- The station has too many people trying to attach to the radio station server and the server capacity is not large enough.
- The station has reached the maximum allowed number of simultaneous listeners.
- The station is not broadcasting anymore.
- The link on the radio is out of date. Please contact MediaU for the update: <http://www.mediayou.net/web/>
- The internet connection between the server (often located in a different country) and yours is slow. Some internet service providers may fail to stream in certain geographical areas. Try using a PC to play back the stream via the broadcaster's web site. If you can play back the station with a PC, please report to the customer service where you bought this radio. If you have a laptop, try connecting it if your Internet Radio cannot find the station.

3. When you scan for PCs under UPnP function, none can be found, or the PC you are looking for does not appear in the list:

- You have not connected to the wireless Access point. On the internet radio, select 'Configuration', 'Network', 'Wireless network connection' and then select your Wireless network. (You may need to enter a security key to access the network wirelessly).
- You have a firewall set on your PC which is stopping you accessing shared files.

- If you have a third party firewall (Like Norton, or Zone Alarm) that will have its own control panel and you will need to consult the manual for your firewall.
- If your PC is connected to a managed network, with a server sometimes the PC being searched for needs to be set to Home group. See the instructions under Media Center.

4. You can see the PC you want to play music from, but cannot find any folders on the PC:

- You have a firewall running which is preventing the internet radio from seeing the shared folder. As a quick check, you can disable firewalls like Norton to see if this overcomes the problem. If this resolves the issue then you can either leave the firewall off or allow file sharing through the fire wall.

Note: If your firewall is required to provide security for your system, it should not be left off.

5. If the Internet Radio keeps re-buffering radio station:

- The Internet Radio is streaming the data from the radio station via your broadband connection, if there is a high error rate on your broadband connection, or the connection is intermittent, then it will cause the Internet Radio to pause until the connection is re-established and it has received enough data to start playing again.
- If your Internet Radio keeps stopping, please check the DSL modem to ensure that the Broadband line is not suffering a high error rate or disconnections. If you are experiencing these problems, you will need to contact your broadband supplier.

6. What is Buffering?

When playing a stream, the Internet Radio/Media player, downloads a small amount of the stream before it starts playing. This is used to fill in any gaps in the stream that may occur if the internet or the wireless network is busy. The Internet Radio streams music data from the PC while you are listening. If a stream gets blocked or experiences Internet congestion while transferring it may stop/interfere with the quality of play. If this happens, check your internet connection speed- it must be faster than the speed of the streams.

Technical Specification

Model	WR-100F
Power input	5V \equiv 1A
Adaptor input	100-240V~50/60Hz
Wireless Network	IEEE802.11b/g/n
Wireless Frequency	2.4 GHz
Security Protocol	WEP/WPA/WPA2
FM Frequency	87.5-108MHz
Bluetooth Version	4.2
Audio output power	3W (RMS) x 1
Audio socket	3.5mm earphone jack 3.5mm Aux-in jack
Unit Dimension	178 x 98 x 98 mm (L x D x H)

Remark: Specification may vary without notice

What is included in the box

What is included in the box

1. Internet Radio
2. Power adaptor
3. User manual

WEEE and Recycling



The European laws do not allow any more the disposal of old or defective electric or electronic devices with the household waste. Return your product to a municipal collection point for recycling to dispose of it. This system is financed by the industry and the ensures environmentally responsible disposal and the recycling of valuable raw materials.

Ocean Digital Technology Ltd.
Flat B, 12/F., Yeung Yiu Chung (No.8) Ind. Bldg.,
20 Wang Hoi Road, Kowloon Bay,
Hong Kong
Email: support@oceandigital.com.hk